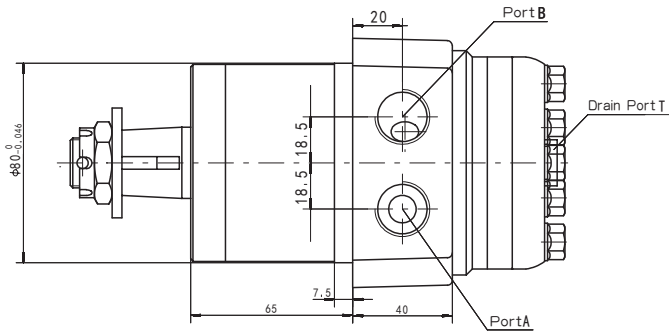
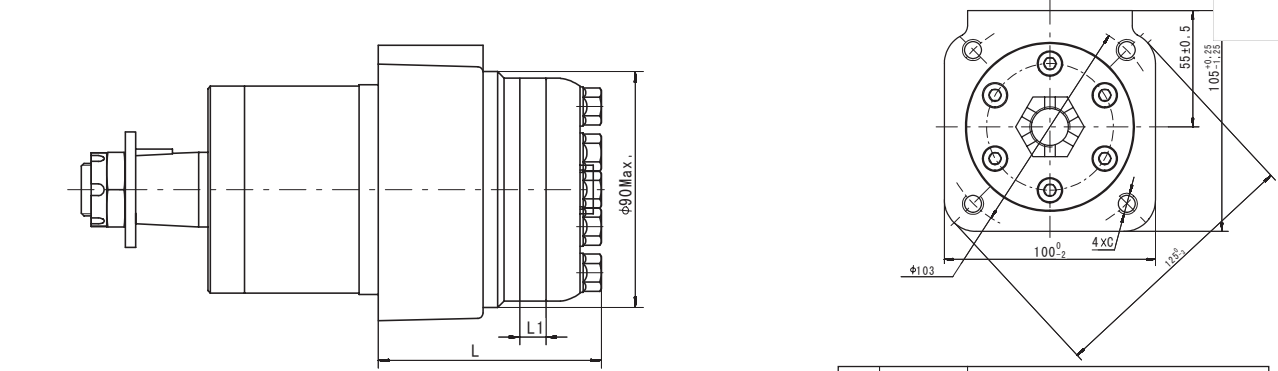




BMPW DIMENSIONS AND MOUNTING DATA



Model	L	L1
BMPW50	81	7
BMPW80	84.5	10.5
BMPW100	87	13
BMPW125	90	16
BMPW160	95	21
BMPW200	100	26
BMPW250	106	32
BMPW315	116	42
BMPW400	126	52
BMPW500	139	65

Mounting	Code		
	G (depth)	S (depth)	M (depth)
P(A,B)	G1/2 (15)	7/8-14 O-ring (17)	M22×1.5 (15)
T	G1/4 (12)	7/16-20UNF (12)	M14×1.5 (12)
C	4×M10(20)	4×3/8-16UNC(20)	4×M10(20)



Order Information

Pos.1	2	3	4	5	6	7	8
Code	Flange	Output shaft	Ports and drain port	Rotation direction	Paint	Unusually function	
50	A Wheel-flange C Wheel-flange E Flat T Ø80×7.5 Omit	A Shaft Ø25x6 ,Parallel key 8×7×32 C Shaft Ø25.4 ,Parallel key 6.35×6.35×31.75 E Shaft Ø25.4 ,Splined key SAE 6B T Cone shaft Ø28.56 ,Parallel key B5×5×14	G G 1/2, G1/4 S 7/8-14 O-ring, M 7/16-20UNF M22×1.5,M14×1.5	Omit Standard R Opposite	00 No paint Omit Blue B Black S Silver grey	Omit Standard N1 Big radial force 0 No case drain	
80							
100							
125							
160							
200							
250							
315							
400							
500							

Note: When the table is used, please fill the code of left rows in the table and give us, which the code information is consists of construction, displacement, mounting flange, output shaft and ports. If the specification is not in the table or you have specific requirements, please contact us.

专业做液压-专注做精品

PROFESSIONAL ON HYDRAULIC- FOCUS ON HIGH QUALITY



石家庄寒九科技有限公司

地址：中国河北石家庄友谊北大街398号

电话：+86 (311) 68123061

传真：+86 (10) - 80115555-568844

邮编：050000

网址：www.hjhydraulic.com

邮箱：manager@sjzhjism.com

SHIJIAZHUANG HANJIU TECHNOLOGY CO.,LTD.

Add: No. 398 Youyi Street, Shijiazhuang, Hebei, China

Tel: +86 (311) 68123061

Fax: +86 (10) - 80115555-568844

Post code: 050000

Web: www.hjhydraulic.com

Email: manager@sjzhjism.com